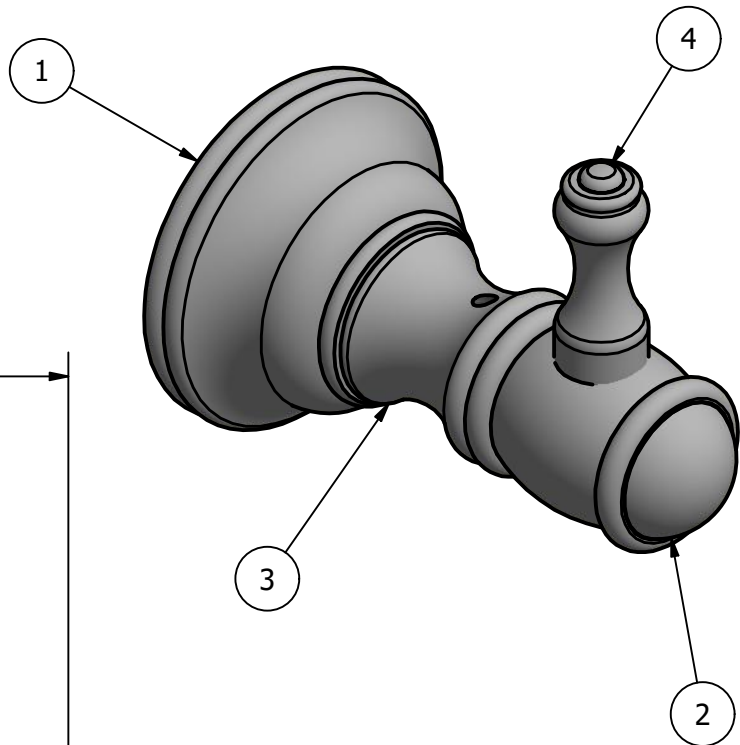
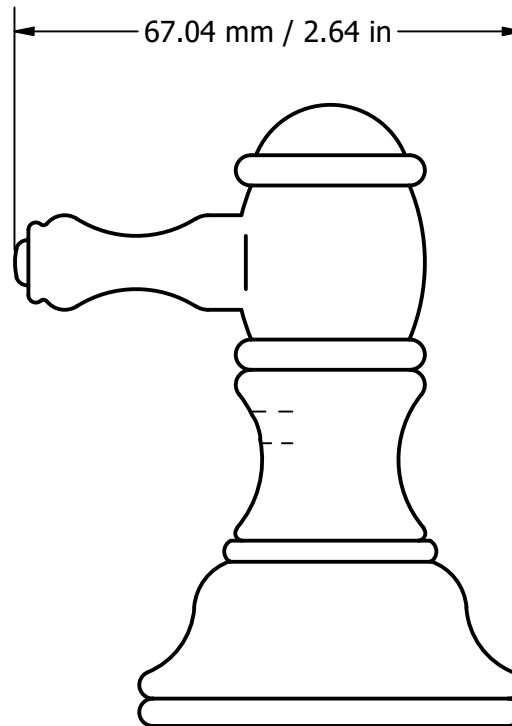
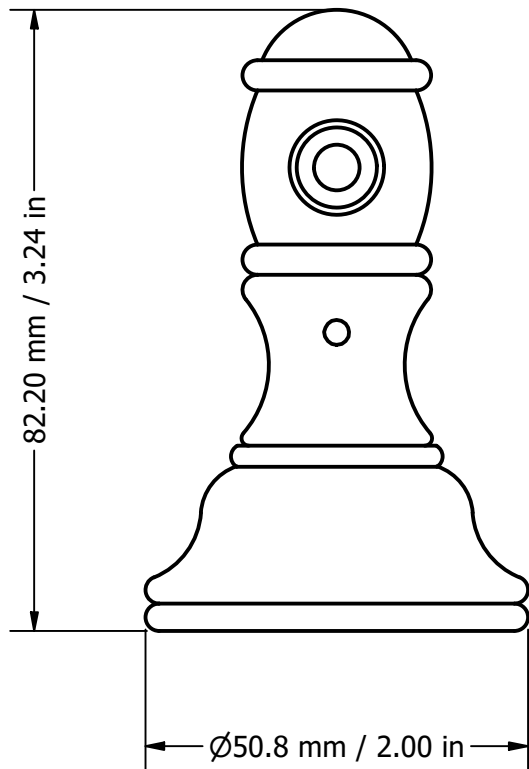


**APPROVED FOR PRODUCTION**

By: RICHARD PAUL  
Date: 01-07-2020



PARTS LIST			
ITEM	QTY	PART NUMBER	DESCRIPTION
1	1	TBBS-2	BACKPLATE
2	1	CL-CAP	CAP
3	1	TSPS-2	HUB
4	1	PGBD-1.25	PEG
5	1	1/8-27 TO 1/4-20	BUSHING

UNLESS OTHERWISE SPECIFIED	
.X	± .3mm
.XX	± .15mm
.XXX	± .008mm

UNIT IS IN MM.

DRAWN 1-7-2020 IM	MATERIAL: BRASS	FINISH	TBD
CHECKED 1-7-2020 P.D.	DESCRIPTION:	QTY	TBD
APPROVED 1-7-2020 R.A.	Carolina Hook	DRAWING NO.	CL-20
THIRD ANGLE PROJECTION		SCALE	1.5:1 SHEET: 1 OF 1
		REV	0